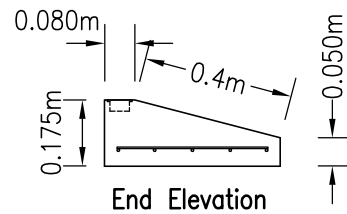
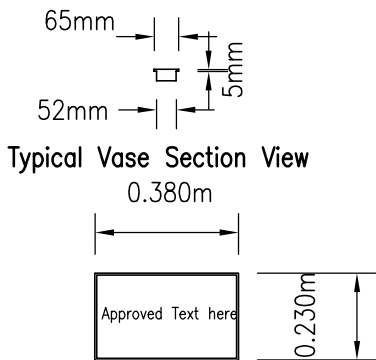
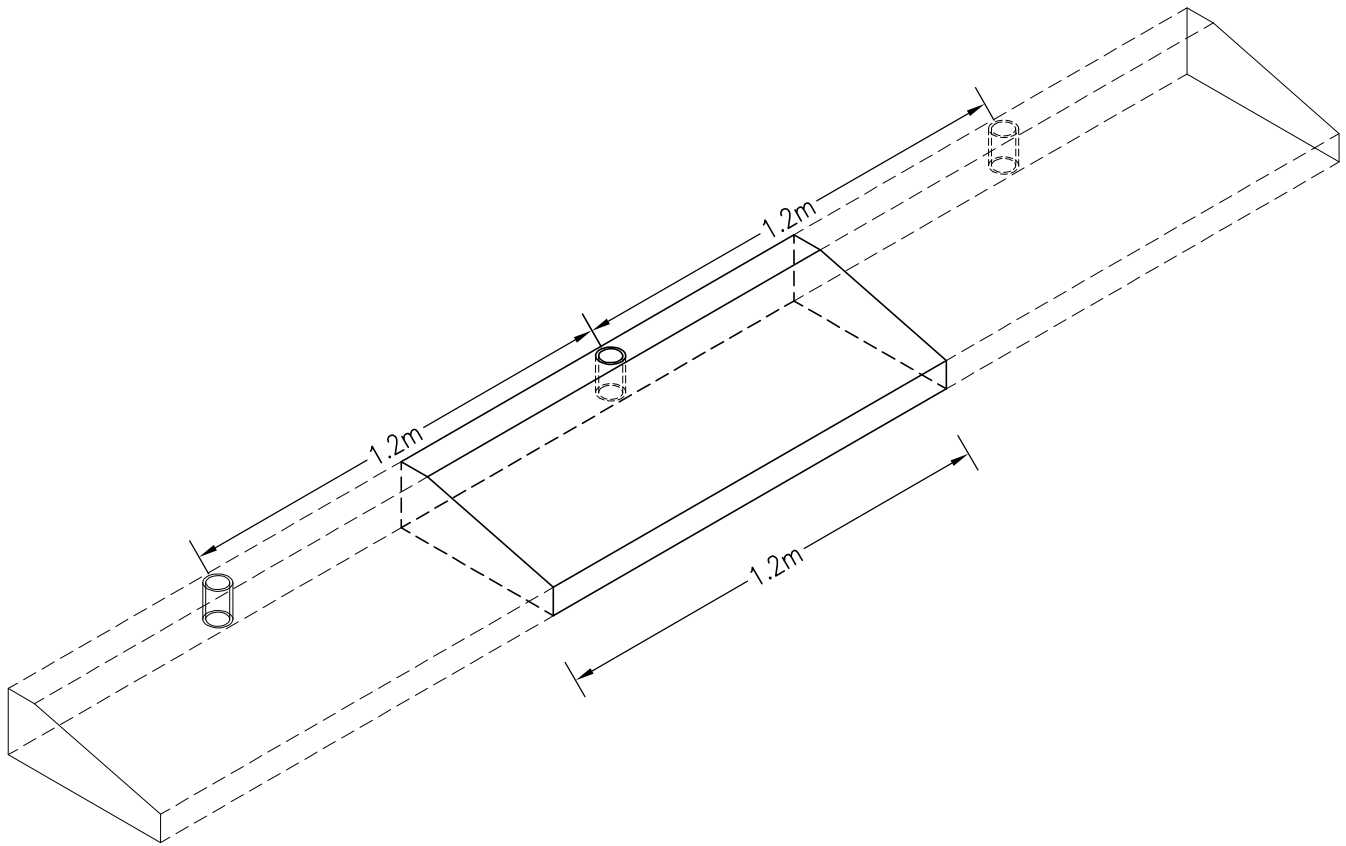


# Miles Cemetery Headstone



## 'Standard' Plaque Sizing

Positioning of Plaques on headstone to suit each individual case (Eg: single or double grave site etc)

Revisions	Drn by	Date
A	Original Issue	

**WESTERN DOWNS REGIONAL COUNCIL**

**W.D.R.C STANDARD DRAWING  
MILES CEMETERY  
CONCRETE HEADSTONE**

DRAWN	S.ZILLMAN	
DESIGNED		
CHECKED		
EXAMINED		
RECOMMENDED	RPEQ. 5234	
TECHNICAL SERVICES MANAGER		
SCALE: 1:20	PLAN 1 of 1	DATE 17/11/2016
Works Order No.	Plan No.	